

Control of Condensation in Buildings

Product Information Sheet

VENT Ridge Vent – RV10P (NZ Patent Number 628396)



The **RV10P** is designed to release warm air from the roof void using the natural convection of rising warm air or by means of negative pressure created by wind blowing over the roof. The **RV10P** have an adhesive and flexible aluminium flashing which is designed to form to roofing profiles and prevent water ingress on any pitch roof. The **RV10P** both form part of a passive ventilation system that works year round with no moving parts or energy consumption.

The **RV10P** is designed to be compatible with roof cladding profiles with a trough depth of <38mm.

Fig A – RV10P Application to >30 Cold Pitch Roof

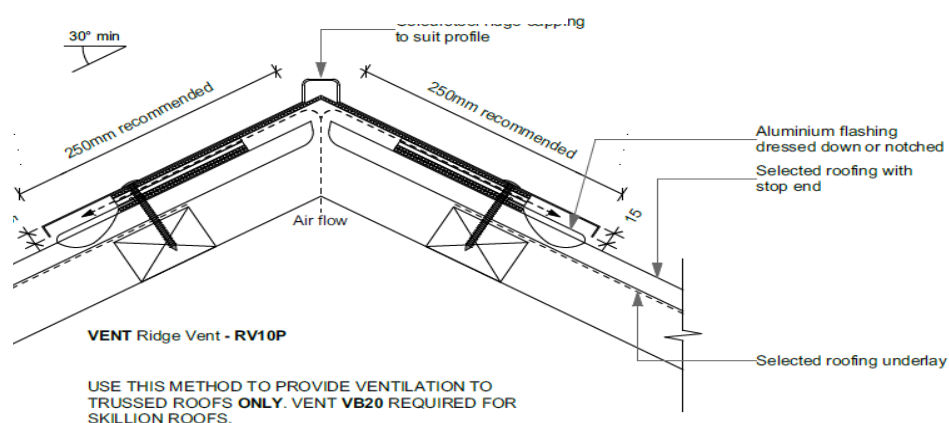
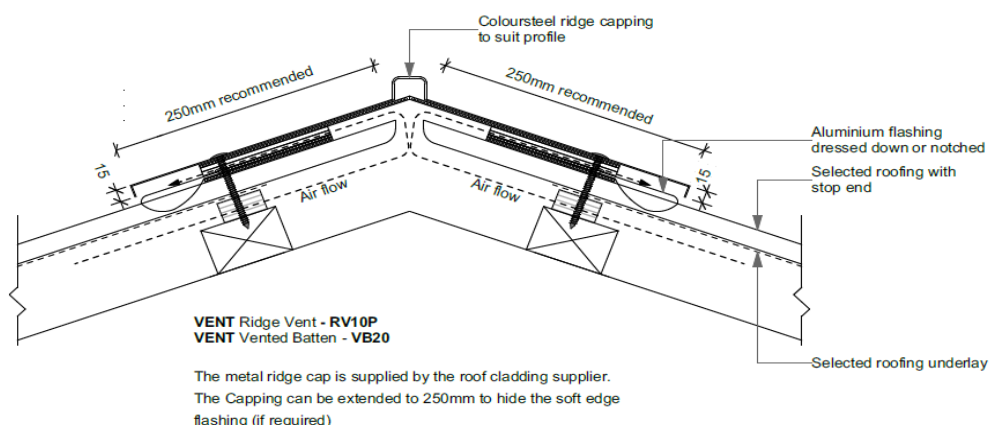


Fig B – RV10P Application to Pitched Skillion Roof



Installation:

- 1) Lay vent on roof centrally over the roof apex as shown with the excess flashing to the right hand side.
- 2) Temporarily fix the vent in place with tape or screws at each corner ensuring the underside of the vent is flat against the roof.

- 3) Continue to the end of the ridge and trim as appropriate. Dress flashing over the roof profile:
GABLE ROOF - Fix vent over the barge flashing to the outside edge of the roof.
HIP ROOF – Install hip flashing first and cut the vent up to where the flashings meet.
- 4) Ridge Flashings can exceed 200mm minimum requirement in order to conceal soft edge of Ridge Vent.
- 5) When vents are fixed, place the ridge flashing centrally over and fix as per usual practice. Additional fixing screw length is required to accommodate the 20mm thickness of the RV10P (and VB20 where applicable).
- 6) Dress the ridge flashing accordingly over the gable/hip junction.
- 7) Remove all moisture and dust from the roof cladding before dressing down the aluminium soft edge.
- 8) The aluminium soft edge can be notched or snipped as required to suit the corrugate profile.
- 9) Care should be taken when dressing down the aluminium soft edge. Between 17mm and 25mm contact with the trough is required, depending on the cladding profile
- 10) Minimum working Temperature to dress down the soft edge flashing is +5°
- 11) Soft edge flashing temperature resistance: -40° to +90°
- 12) For technical assistance contact the VENT technical team



Benefits:

- Free Airflow of 8,000mm² per linear metre
- Releases hot air from roof voids and eliminates condensation
- Recommended for cold roof pitch of over 30° and Skillion r
- For trough depths >38mm use an RV10DT (Deep Trough)
- New Build or Renovation
- Easy to install – Manufactured in 1200mm lengths handling
- Not visible when covered with ridge flashing (*Flashing not included*)
- Insect proof – Recommended 4mm vents to ingress of nesting insects
- Manufactured in recycled plastic for
- 30 year warranty

