

Product Information Sheet

VENT Apron Vent – AB20DT

The VENT AB20DT is a Polypropylene Ventilated Apron Batten which enable warm air to escape from the lower roof void (fig A) or as a barge vent for Skillion Mono Pitch Roof types (Fig B). The AB20DT has an adhesive and flexible aluminium flashing which is designed to form to most cladding profiles and prevent water ingress on any pitch roof. The AB20DT has been designed with the recommended 4mm vents which will repel the ingress of nesting insects which can be a common occurrence in cavities. The **AB20DT** is designed to be compatible with roof cladding profiles with a trough depth of >38mm.

Fig A: Skillion Roof Barge Application

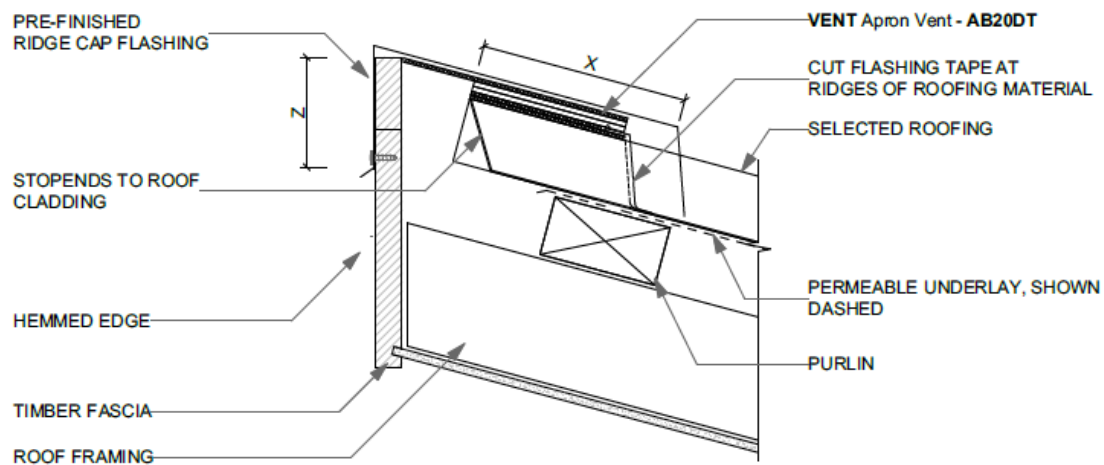
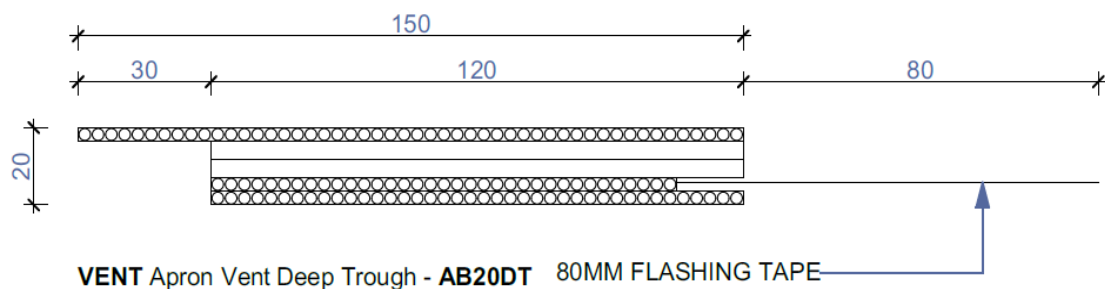


Fig B: Product Dimensions



Installation:

- 1) The AB20DT is placed over the top of the roof cladding.
- 2) The protective paper is then removed from the underside of the flashing tape which is then moulded to the shape of the roof cladding.
- 3) Additional fixing screw length is required to accommodate 20mm thickness of the AB20DT (and VB20 where applicable).
- 4) Remove all moisture and dust from the roof cladding before dressing down the aluminium soft edge.
- 5) The aluminium soft edge can be notched as required to suit the corrugate profile.
- 6) Minimum working Temperature to dress down the soft edge flashing is +5°
- 7) The aluminium soft edge can be notched or snipped as required to suit the metal roofing profile.
- 8) Soft edge flashing temperature resistance: -40° to +90°
- 9) The Apron or Barge flashing sits over the top of the AB20DT and fixed as shown in Figs A & B.
- 10) Flashings can exceed 200mm minimum requirement in order to conceal soft edge of Apron Vent.
- 11) Compatibility with the AB20DT and the chosen Ridge Capping System need to be checked with the roofing manufacturer supplying the ridge capping.
- 12) For technical assistance contact the VENT technical team



Benefits:

- Free Airflow of 8,000mm² per linear metre
- Releases hot air from roof voids and eliminates condensation
- For trough depths <38mm use an AB20
- New Build or Renovation
- Easy to install – Manufactured in 1200mm lengths for easy handling
- Not visible when covered with flashing (*Flashing not included*)
- Insect proof – Recommended 4mm vents to prevent ingress of nesting insects
- Manufactured in recycled plastic for affordability
- 30 year warranty