



A division of  TCLHunt

DriStud RU 24 Installation Guide

Non-Fire Retardant, Self-Support, Synthetic Roof Underlay

General

DriStud RU 24 is a **Non-Fire Retardant**, Self-Supporting Synthetic Roof Underlay intended to be used as an alternative to conventional kraft based roof underlays. Once installed it creates a secondary protective weather resistant layer for roof framing (truss or rafter) and provides an air-impermeable layer behind the roof cladding; these layers are essential elements required in the moisture management system for Roofs. It can be installed to all roof framing (Timber or Steel).

Wind Zones

DriStud RU 24 has been assessed as suitable in Wind Zones up to and including “Extra High” as defined in Section: 5, NZS 3604: 2011.

Overlaps / Support

Printed imagery on all DriStud Roof Underlays must be facing outward with the minimum amount of overlaps as possible. When overlapping is unavoidable with both vertical and horizontal applications; a minimum lap of 150mm is required. Upper sheets must be lapped over the lower sheets to ensure water is shed to the outer face of the underlay. DriStud FRU 24 must not span more than 1.2m between adjacent supports.

Installation

DriStud RU 24 must NOT be installed where Fire Retardant roof underlay is specified. It provides temporary weather protection for up to 7 Days and can be exposed to wet weather during installation.

DriStud RU 24 must be supported on netting or safety mesh if used:

- On Roof Pitches less than 10° with vertical installation.
- If the support spacing is greater than 1200mm.

It is recommended that DriStud RU 24 is supported when it is used under dark coloured Profiled Metal Cladding.

ROOF PITCHES

>10°: If installing on a roof with a pitch greater than 10° then DriStud roof underlays may be installed either horizontally or vertically.

≤10°: If the roofs pitch is less than 10° self-support roof underlays can be installed horizontally and vertically.

For vertical installation under 10° pitch roof, DriStud RU24 must be installed over a supporting netting or equivalent system on a minimum side lap of 150 mm. The netting and underlays must be installed flat and taut to ensure condensation will drain to the gutter. If any doubts vertical laps are recommended to be sealed with 75mm wide DriStud Cool window flashing tape or DriStud Joining tape to ensure it.

As an alternative solutions, DriStud RU24 may run horizontally with the higher layers sitting on top of the lower layers down to roof pitches of minimum 3° without supporting netting. The underlay has to be installed flat and taut to ensure condensation will drain to the gutter.

At the eaves, the roof underlay should be laid over the top of the fascia and project 20-30 mm into the gutter.

FIXINGS

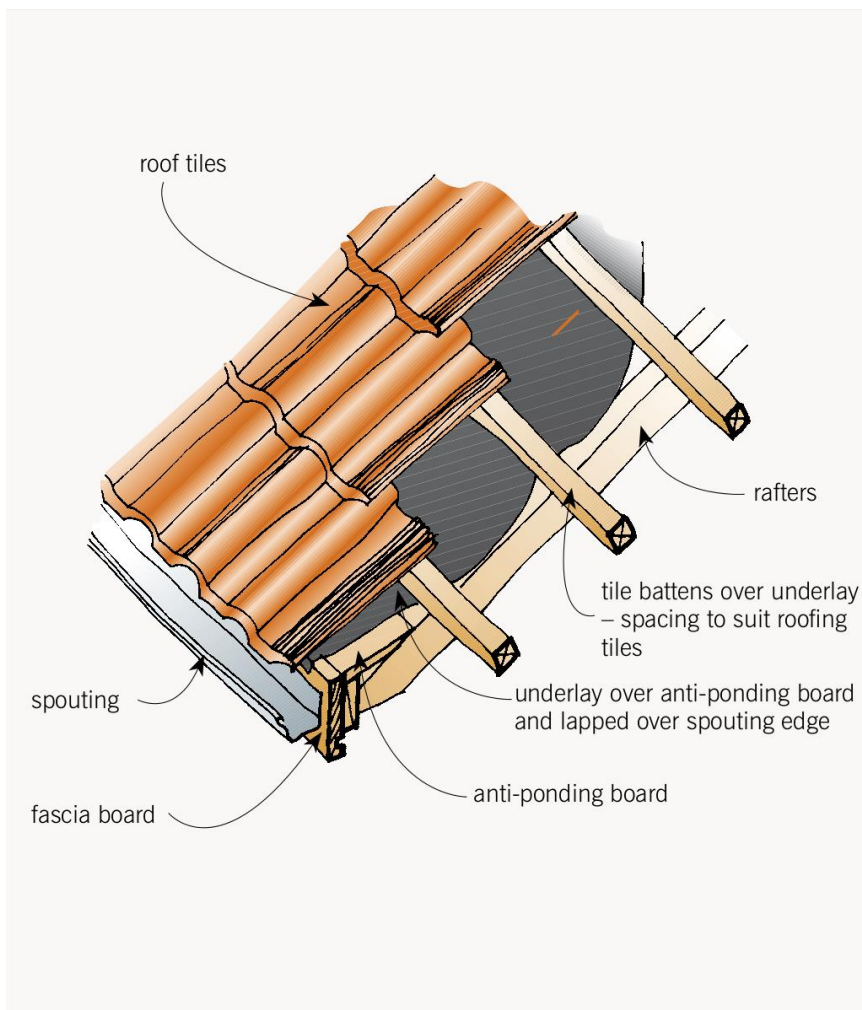
DriStud RU 24 is to be fixed at maximum 300mm centres to all framing members with either 6-8mm staples or 20mm long large head clouts, or proprietary underlay fixings. If metal roof cladding is directly fixed straight onto the underlay, its fixings can replace the underlay fixing requirements.

LONG RUN PROFILED METAL ROOF CLADDING

DriStud RU 24 must be installed over the purlins by fixing to the purlins on both edges by the roof fastenings. For horizontal laying, underlay must fit tightly and be lap-taped around all penetrations to provide drainage for condensation, and be free of tears, rips and punctures. The purlin spacing must be 150mm less than the width of the underlay. If it exceeds this spacing it must be laid vertically.

CONCRETE AND METAL TILE ROOF CLADDING

DriStud RU 24 must be installed under the battens but over the rafters/top truss chords. Anti-ponding boards should be installed at the eaves to prevent the underlay sagging with a minimum fall of 5°



DESIGN RECOMMENDATIONS

- Have a minimum air gap of 25mm between the underlay and any insulation.
- Use sufficient ventilation to minimize condensation.
- Use air gap between the metal cladding and synthetic underlays where condensation risks are high.

Who can install DriStud Roofing Underlays?

Where DriStud roof underlays are used for new construction or in connection with a building consent the work should be undertaken or supervised by a Licensed Building Practitioner (LBP) where restricted building work applies.

Alternatively, the installer shall have the suitable skills when installing DriStud roof underlays.

Maintenance

DriStud roof underlays do not require any maintenance but when exposed through removal of roof cladding, the underlays must be inspected and any damaged areas repaired or replaced.

Safety

- The installer shall take all precautions to reduce work hazards.
- The installer of DriStud roof underlays is required to comply fully with Health and Safety in Employment Act 2002.
- Appropriate clothing, safety footwear and hand and face protection must be used in all cases.
- Safety scaffold and barriers must comply with the requirements of the Health and Safety in Employment Act 2002

Warranty

TCL Hunt Ltd warrants that all DriStud roof underlays will be free from manufacturing defects. Upon receiving of DriStud roof underlays, it is recommended that a visual check is made. Where defects are observed, these will be replaced at the discretion of TCL Hunt, provided that they are returned to point of purchase.

If installed in accordance with TCL Hunt installation requirements, TCL Hunt warrants that DriStud roof underlays will comply with all relevant provisions of the NZ Building Code.

DriStud roof underlays will have a serviceability life equal to that of the roof cladding provided that:

- the balance of the external wall is installed in accordance with the NZ Building Code, and,
- All necessary maintenance is undertaken in respect of the external wall system.

Please refer to DriStud website www.dristud.co.nz for more information on warranty and disclaimer.

Further information

For further information please visit www.dristud.co.nz or call 0800 DRISTUD (374 7883).